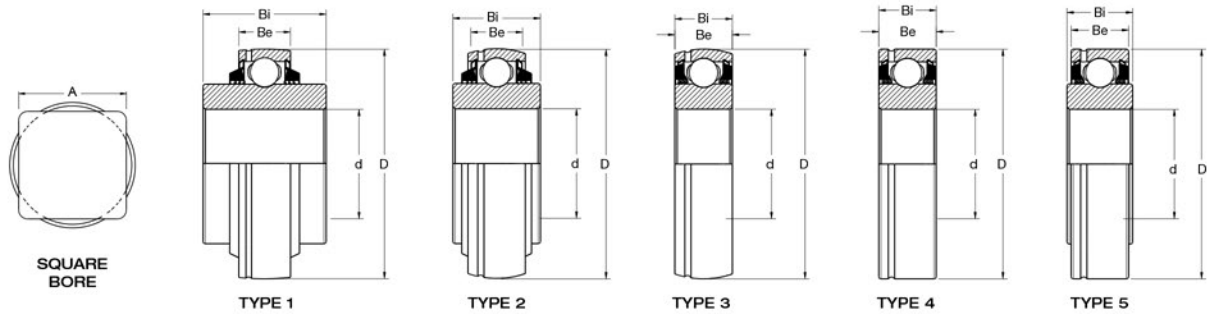


# Greaseable

## DISC HARROW BEARINGS



### Round Bore Greaseable

Part Number	Type	d		D		Be		Bi		Load Ratings		Weight lbs.
		in.	mm.	in.	mm.	in.	mm.	in.	mm.	Dynamic (lbs.)	Static (lbs.)	
GW209PPB2	3	1.7717	45.000	3.3465	85.000	1.188	30.18	1.188	30.18	7350	4150	1.44
GW209PPB4	3	1.5350	38.989	3.3465	85.000	1.188	30.18	1.188	30.18	7350	4150	1.65
GW209PPB11	1	1.7810	45.237	3.3465	85.000	0.866	22.00	1.438	36.52	7350	4150	1.37
GW210PPB2	3	1.9380	49.225	3.5433	90.000	1.188	30.18	1.188	30.18	7880	4650	1.50
GW210PPB5	3	1.7850	45.339	3.5433	90.000	1.188	30.18	1.188	30.18	7880	4650	1.80
GW210PP9	5	1.9450	49.403	3.5433	90.000	0.906	23.00	1.438	36.52	7880	4650	1.75
GW211PP2	4	2.1880	55.575	3.9370	100.000	1.312	33.32	1.312	33.32	9740	5850	3.00
GW211PPB2	3	2.1880	55.575	3.9370	100.000	1.312	33.32	1.312	33.32	9740	5850	2.62
GW211PPB8	1	2.1880	55.575	3.9370	100.000	0.984	25.00	1.312	33.32	9740	5850	1.85
GW211PPB9	1	2.1950	55.753	3.9370	100.000	0.984	25.00	1.562	39.68	9740	5850	2.02
GW211PPB10	3	1.9380	49.225	3.9370	100.000	1.312	33.32	1.312	33.32	9740	5850	2.26
GW211PPB13	1	1.7850	45.339	3.9370	100.000	0.984	25.00	1.312	33.32	9740	5850	2.02
GW211PPB14	1	2.0150	51.181	3.9370	100.000	0.984	25.00	1.312	33.32	9740	5850	2.00
GW211PP25	5	1.7800	45.212	3.9370	100.000	1.312	33.32	1.750	44.45	9740	5850	2.44
GW214PP2	4	2.7559	70.000	4.9213	125.000	1.562	39.68	1.562	39.68	14000	8800	4.19
GW214PPB2	3	2.7559	70.000	4.9213	125.000	1.562	39.68	1.562	39.68	14000	8800	3.96
GW214PPB3	3	1.9380	49.225	4.9213	125.000	1.562	39.68	1.562	39.68	14000	8800	4.24
GW214PPB5	2	2.7559	70.000	4.9213	125.000	1.562	39.68	2.438	61.93	14000	8800	4.75
GW214PPB6	1	2.6881	68.278	4.9213	125.000	1.102	28.00	2.688	68.26	14000	8800	5.14

### Square Bore Greaseable

Part Number	Type	d		A		D		Be		Bi		Load Ratings		Weight lbs.
		in.	mm.	in.	mm.	in.	mm.	in.	mm.	in.	mm.	Dynamic (lbs.)	Static (lbs.)	
GW208PPB5	1	1.1250	28.575	1.1800	29.972	3.1496	80.000	0.827	21.00	1.438	36.52	7340	3650	1.47
GW208PPB6	1	1.0000	25.400	1.0300	26.162	3.1496	80.000	0.827	21.00	1.438	36.52	7340	3650	1.75
GW208PPB8	2	1.1250	28.575	1.1800	29.972	3.1496	80.000	1.188	30.18	1.438	36.52	7340	3650	1.75
GW208PP17	4	1.1250	28.575	1.1800	29.972	3.3755	85.738	1.188	30.18	1.438	36.52	7340	3650	2.04
GW208PPB17	2	1.1250	28.575	1.1800	29.972	3.3755	85.738	1.188	30.18	1.438	36.52	7340	3650	2.04
GW209PPB5	2	1.2500	31.750	1.2900	32.766	3.3465	85.000	1.188	30.18	1.438	36.52	7350	4150	1.75
GW209PPB8	1	1.2500	31.750	1.2900	32.766	3.3465	85.000	0.866	22.00	1.438	36.52	7350	4150	1.65
GW210PP4	5	1.1250	28.575	1.1800	29.972	3.5433	90.000	1.188	30.18	1.188	30.18	7880	4650	2.31
GW210PPB4	3	1.1250	28.575	1.1800	29.972	3.5433	90.000	1.188	30.18	1.188	30.18	7880	4650	1.75
GW211PP3	5	1.5000	38.100	1.5311	38.890	3.9370	100.000	1.312	33.32	1.312	33.32	9740	5850	2.79
GW211PPB3	3	1.5000	38.100	1.5311	38.890	3.9370	100.000	1.312	33.32	1.312	33.32	9740	5850	2.66
GW211PP5	4	1.5000	38.100	1.5311	38.890	4.0000	101.600	1.438	36.52	1.750	44.45	9740	5850	2.69
GW211PP17	4	1.5000	38.100	1.5311	38.890	3.9370	100.000	1.312	33.32	1.750	44.45	9740	5850	2.62
GW211PPB17	1	1.5000	38.100	1.5311	38.890	3.9370	100.000	1.312	33.32	1.750	44.45	9740	5850	2.55
GW212PP50	4	1.7500	44.450	1.7400	44.196	4.3307	110.000	1.506	38.25	2.000	50.80	11790	8110	4.35
GW214PPB4	3	2.0000	50.800	2.0551	52.200	4.9213	125.000	1.562	39.68	1.562	39.68	14000	8800	4.75
GW216PP2	4	2.2500	57.150	2.3150	58.800	5.5118	140.000	1.181	30.00	2.500	63.50	16280	10400	6.32